

HONDA CBR1000RR (08-11) R-11 HEAT SHIELD SET

Be sure to read the instruction carefully before starting the work. It is necessary to follow the contents to install this product.

- CAUTION** Before beginning installation, let motorcycle cool down.
- CAUTION** During the work, be careful not to damage each parts. Especially, Heat Shield is coated with black paint. Handle with care not to be hit or scratched by surroundings as the coating may come off.
- CAUTION** Torque specification must be followed. If neglected, it may cause bolt and nut to fell off and damage to Yoshimura exhaust and motorcycle.

1. Product Information:

Description	Honda CBR1000RR (08-11) R-11 Heat Shield Set	Application	Honda CBR1000RR (08-11)
Part Number	194-49A-0010	Type of Engine	SC59E
Main Material	Stainless steel		

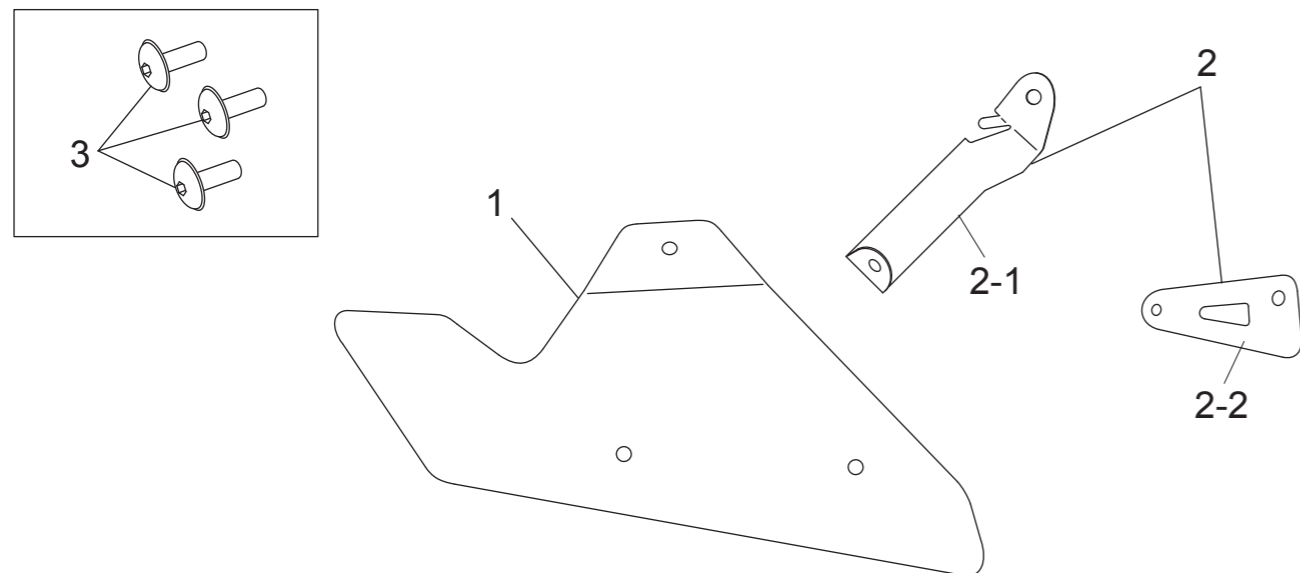
2. Applicable Exhausts : ※This product is only applicable to Yoshimura exhausts listed below on CBR1000RR 2008 - 2011 year models.

Description	Part Number
CBR1000RR (08-11/12-) Street Sports Full System R-11 Single Exit Neo Hybrid	180-49A-5750 / -5720 / -5780 / -5780B
CBR1000RR (08-11/12-) Street Sports Slip-on R-11 Single Exit Neo Hybrid	180-49A-5550 / -5520 / -5580 / -5580B

3. Contents:

No.	Descriptions	Part No.	Q'ty	
1	Heat Shield	161-49A-0010	1	
2	Heat Shield Bracket Set	2-1 Heat Shield Bracket #1	161-49A-A000	1
		2-2 Heat Shield Bracket #2		
3	Heat Shield Bolt	803-A06-4008	3	

Parts Diagram



HONDA CBR1000RR (12-) R-11 HEAT SHIELD SET

Be sure to read the instruction carefully before starting the work. It is necessary to follow the contents to install this product.

- CAUTION** Before beginning installation, let motorcycle cool down.
- CAUTION** During the work, be careful not to damage each parts. Especially, Heat Shield is coated with black paint. Handle with care not to be hit or scratched by surroundings as the coating may come off.
- CAUTION** Torque specification must be followed. If neglected, it may cause bolt and nut to fell off and damage to Yoshimura exhaust and motorcycle.

1. Product Information:

Description	Honda CBR1000RR (12-) R-11 Heat Shield Set	Application	Honda CBR1000RR (12-)
Part Number	194-49A-0020	Type of Engine	SC59E
Main Material	Stainless steel		

2. Applicable Exhausts : ※This product is only applicable to Yoshimura exhausts listed below on CBR1000RR 2012 year or later models.

Description	Part Number
CBR1000RR (08-11/12-) Street Sports Full System R-11 Single Exit Neo Hybrid	180-49A-5750 / -5720 / -5780 / -5780B
CBR1000RR (08-11/12-) Street Sports Slip-on R-11 Single Exit Neo Hybrid	180-49A-5550 / -5520 / -5580 / -5580B

3. Contents:

No.	Descriptions	Part No.	Q'ty
1	Heat Shield	161-49A-0020	1
2	Heat Shield Bracket #1	161-49A-0030	1
3	Heat Shield Bracket #2	161-49A-0040	1
4	Heat Shield Bracket #3	161-49A-0050	1
5	Heat Shield Bolt	803-A06-4008	3
6	Button Bolt M6x6	803-206-4006	1

REFERENCE

Note that Heat Shield Bracket #2 and Button Bolt M6x6 are NOT used for slip-on installation work.

Parts Diagram

