

## SUZUKI GSX-R600/750L1- STREET SPORTS SLIP-ON R-11 DUAL EXIT

Be sure to read the instruction carefully before starting the work. It is necessary to follow the contents for installing the Yoshimura Slip-on.

### 1. Product Information :

Description	Suzuki GSX-R600/750L1-	Part Number	Stainless Sleeve ; 170-571-5550
	Street Sports Slip-on R-11 Dual Exit		Metal Magic Sleeve ; 170-571-5520
Cyclone Type	SSP571S11C1		Titanium Sleeve ; 170-571-5580
Main Material	Stainless Steel		Titanium Blue Sleeve ; 170-571-5580B
Weight	[STD/GSX-R600; 2.2kg, GSX-R750; 2.5kg]		
	(SS) & (SM); 2.4kg, (ST) & (STB); 2.2kg		

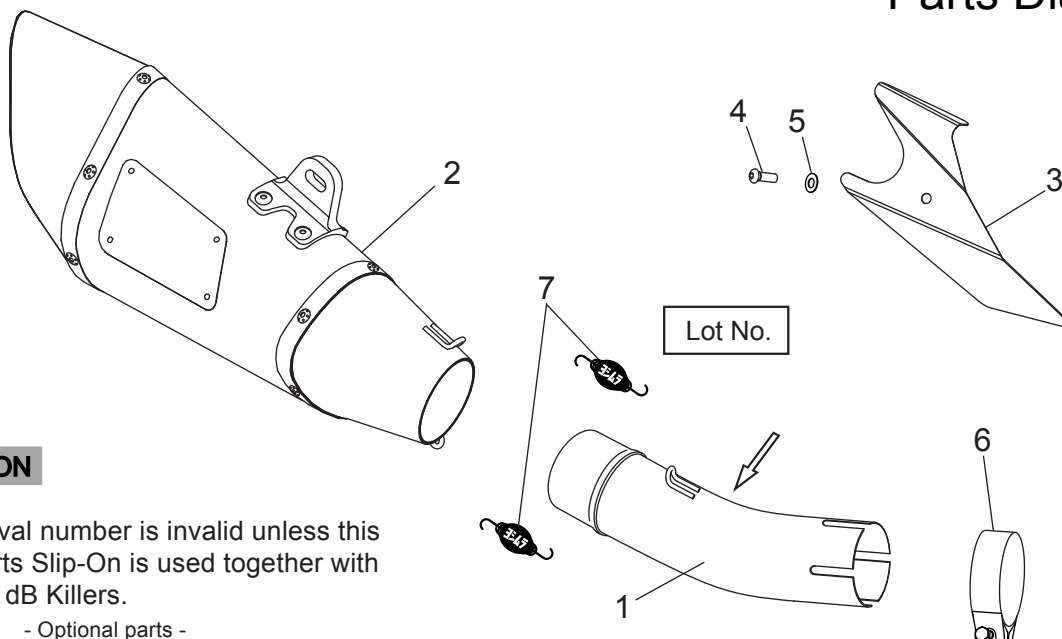
### 2. Applicable Model :

Model	SUZUKI GSX-R600L1 ('11-) / GSX-R750L1 ('11-)
Type of Engine	N738 (GSX-R600L1-) / R747 (GSX-R750L1-)

### 3. Contents :

No.	Descriptions	Part No.	Q'ty	No.	Descriptions	Part No.	Q'ty
1	Tailpipe	1A5-571-5500	1	4	Button Bolt M6x12 (Thread Lock)	803-806-4012	1
2	Silencer Assy, Stainless Sleeve	1A6-571-5550	1	5	Washer M6x16	812-206-1601	1
	Silencer Assy, Metal Magic Sleeve	1A6-571-5520		6	Clamp Band 51-55	162-777-5155	1
	Silencer Assy, Titanium Sleeve	1A6-571-5580		7	Exhaust Spring	118-001-0000	2
	Silencer Assy, Titanium Blue Sleeve	1A6-571-5580B					
3	Heat Guard	161-571-1000	1				

### Parts Diagram



#### CAUTION

EEC approval number is invalid unless this Street Sports Slip-On is used together with designated dB Killers.

- Optional parts -  
dB Killer #1 : 131-100-5135  
dB Killer #2 : 131-100-5435